

Wall Mounted ASL Range

22" | 32" | 43" | 50" | 55"



Give your message impact with sleek tablet-like aesthetics with inclusive CMS software

Our ASL display has been created to deliver power and performance with a sleek tablet-style design completely 'Out of the Box' due to the in-built Android Operating System and Content Management Software (CMS).

Designed to operate 24/7 and with a 3 year warranty you have peace of mind that you're investing in commercial grade equipment which has been built for the rigors of digital signage in mind.

Available in sizes 22" and up, these displays run on the same TOPAZ CMS platform as our VLS range and CMS Media Players which means you can easily mix your TOPAZ Products on your network.

Our Wall Mounted ASL Displays are perfect for any indoor settings, we have previously installed the ASL display in Casinos, Schools, Restaurants and Hotels.

Key Features



Lightweight Design



Android OS



On/Off Power timer



24/7 Usage



Toughened Glass

Improves tactility for smoother touch gestures, especially useful when there is more than one user touching the screen. The anti-glare nano coating also diffuses external light so that images and videos are much clearer.

Tablet Style Design

The TOPAZ ASL Series features edge to edge tempered glass, rounded corners & a brushed aluminium frame to create a stylish and sophisticated Tablet style finish ensuring your message stands out and creates the WOW factor.

Lightweight Design

By using less and lighter materials, component weight is kept to a minimum. This compact design makes both installation and maintenance much more convenient.

Designed for Digital Signage

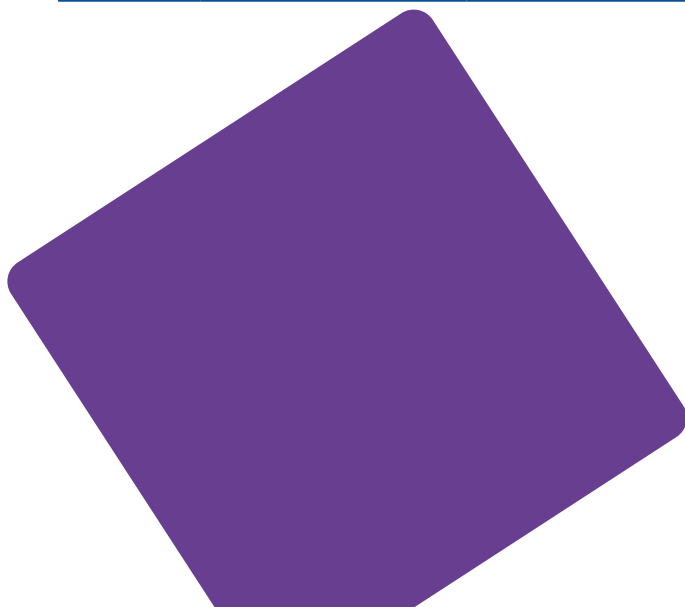
Unlike a TV, the TOPAZ™ ASL Series are designed specifically for Digital Signage.... This means that they all feature commercial grade panels, can operate in either Portrait or Landscape & that they are designed to run 24/7.... Giving you maximum ROI.

Product Images

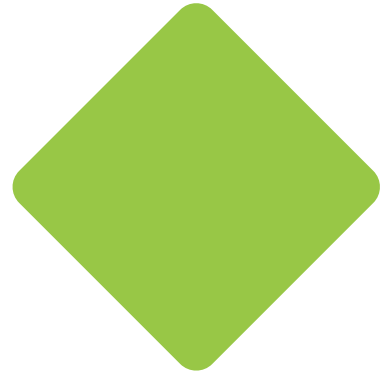


Technical Specifications

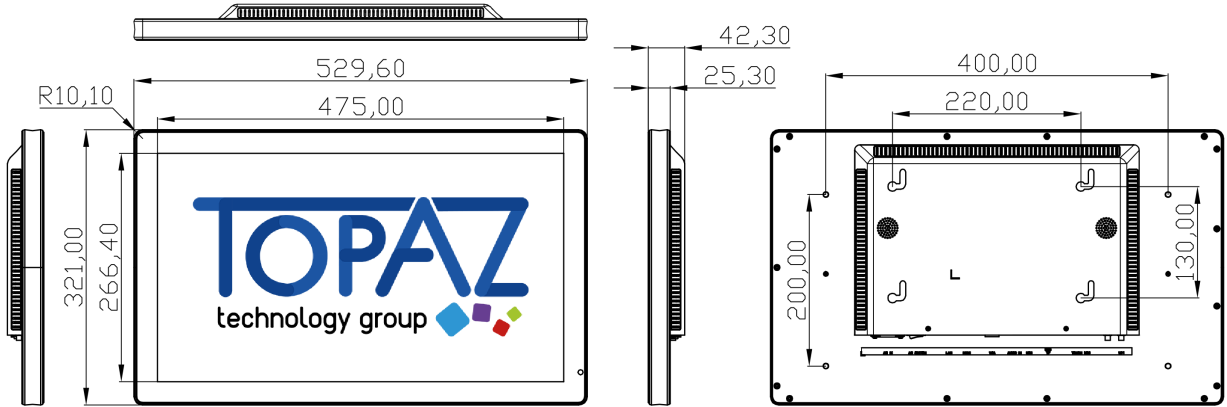
		22"	32"	43"	50"	55"
Display	Unit Size (wxhxd mm)	530 x 321 x 42.3	757.8 x 452.3 x 49.3	997.6 x 585 x 50.6	1135 x 665.5 x 63.2	1275 x 746 x 55
	Unit Weight (kg)	6.1	10	16.7	27	29.5
	Display Area (mm)	475 x 226.5	698 x 392	942 x 530	1073 x 603	1209.6 x 680.4
	VESA Config	400 x 200	400 x 200	400 x 200	400 x 200	400 x 200
	Speaker Type	2W, 4Ω (x2)	2W, 4Ω (x2)	2W, 4Ω (x2)	2W, 4Ω (x2)	2W, 4Ω (x2)
	Resolution	1920 x 1080	1920 x 1080	1920 x 1080	1920 x 1080	1920 x 1080
	Aspect Ratio	16:9	16:9	16:9	16:9	16:9
	Brightness (cd/m2)	450	450	450	450	450
	Contrast Ratio	5000:1	5000:1	5000:1	5000:1	5000:1
	Colour	16.7M	16.7m	16.7m	16.7m	16.7m
	Viewing Angle	178°	178°	178°	178°	178°
	Input Voltage	AC110-240V (50Hz-60Hz)	AC110-240V (50Hz-60Hz)	AC110-240V (50Hz-60Hz)	AC110-240V (50Hz-60Hz)	AC110-240V (50Hz-60Hz)
	Working Temperature	0°C to 50°C	0°C to 50°C	0°C to 50°C	0°C to 50°C	0°C to 50°C
AV Inputs	Video	HDMI & VGA				
	Audio	Audio Socket 3.5mm				
Internal Media Player	Media Resolution	1920 x 1080/1080 x 1920				
	Internal Memory	6GB				
	CPU	Quad-Core ARM Cortex A17, 1.6GHz				
	GPU	Quad-Core ARM Mali-T764				
	RAM	2GB DDR3				
	ROM	8GB eMMC				
	USB	1 x USB (OTG/HOST), 1 x USB (HOST)				
	LAN	100/1000M Ethernet				
	WiFi	802.11b/g/n/ac				
	OS	Android 7.1				
	Graphic Engine	OpenGL ES 1.1/2.0/3.0/3.1, OpenCL 1.1, Renderscript, Direct3D 11.1				
	Software	TOPAZ CMS				
	Media Formats	Video: MPG4 / Image: JPG				



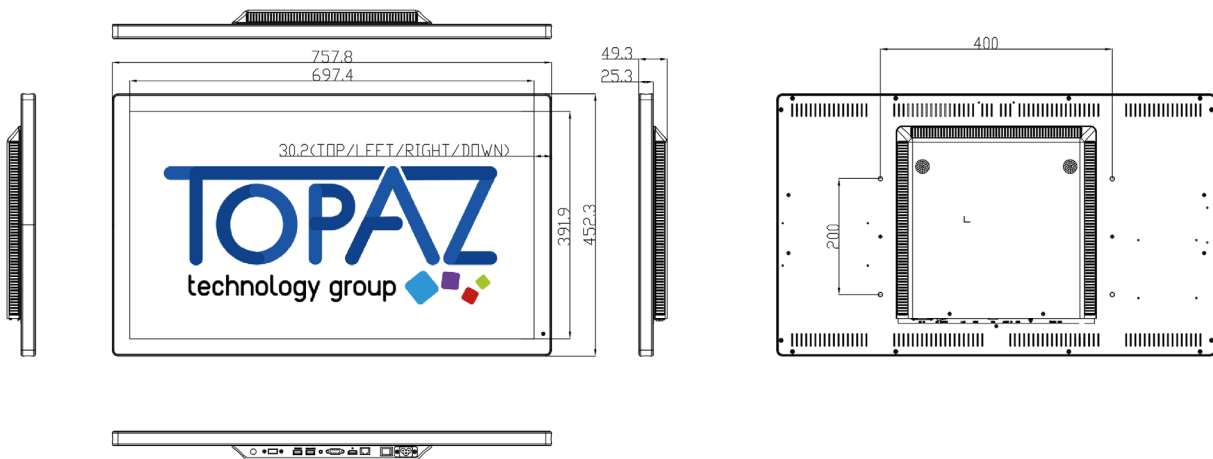
Technical Drawing



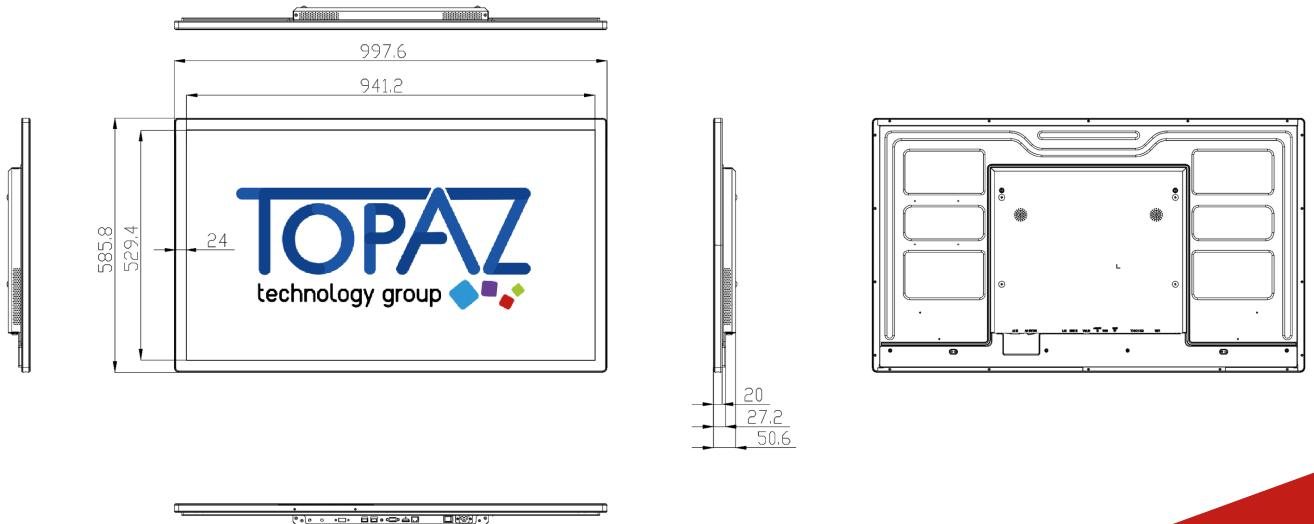
22" |



32" |

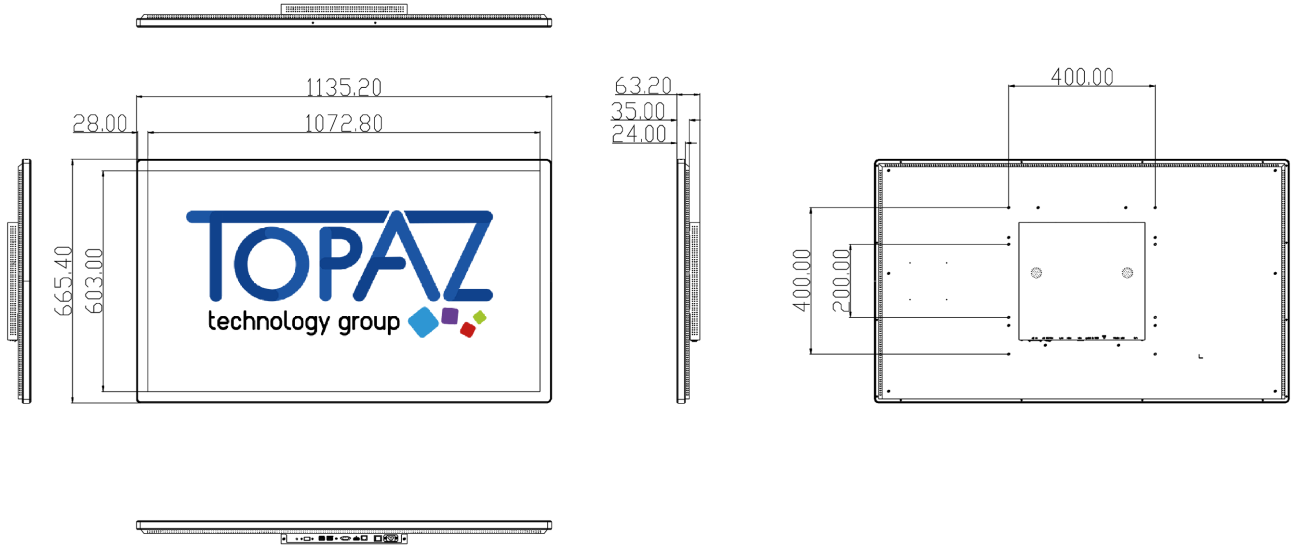


43" |



Technical Drawing

50"



55"

